



PMR24

Key Features:

Stainless Steel Interior & Exterior

Designed To Operate In 43°C Ambient

Built-In Air Rear Duct For Even Temperature Distribution

R134a Refrigerant - Refrigerator

Zero ODP Injected Polyurethane Insulation - 60mm

-2 / +4°C Refrigerator Temperature Range

Electronic Controller With Easy Read LCD Screen

Hot Gas Defrost - Refrigerator

Door Locks Fitted As Standard

Rifle Bore Coated Evaporators - Refrigerator

Ergonomic Flush Door Handle

Gastronorm Shelving System - Anti Tilt Slides

Hi / Lo Audio Visual Temperature Alarms

Condensing Unit Safety System To Protect Compressor From Blocked Condensers

Safety Cut Out Switch On Heated Model

Heavy Duty Brake & Swivel Castors

Flush Manoeuvring Handles -Protective Bumper Bars

Precision's durable all stainless steel Gastronorm mobile banquet carts have been designed to provide energy efficient and reliable mobile refrigerated and heated storage solutions for commercial kitchens all around the world.

The refrigerator model is designed to operate between -2°C and +4°C and is capable of storing 24 x GN1/1 65mm deep pans of refrigerated product.

The heated model operates between 78°C and 82°C to provide storage of 30 x GN1/1 65mm deep pans of pre-cooked food product. A humidity tray is also fitted as standard to increase the humidity within the cabinet when required.



PMH30

Options:

Nylon Coated Shelves - GN2/1 - PMR Only

Stainless Steel Shelves - GN2/1

Nylon Coated Shelves - GN1/1 - PMR Only

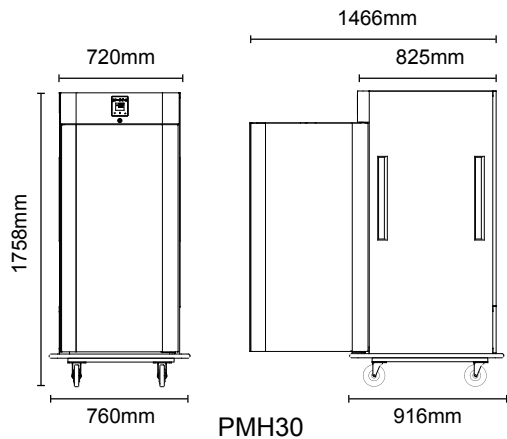
Stainless Steel Shelves - GN1/1

Precision Connect

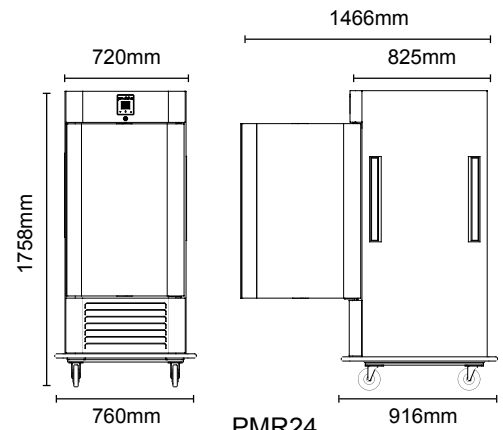
Distributor:

KiD Catering Equipment, Oaktree Court Business Centre, Mill Lane, Ness, Cheshire, CH64 8TP
Tel: 0333 123 2450

sales@kidcateringequipment.com



PMH30



PMR24

Model	PMR24	PMH30
Type	Refrigerator	Heated Storage
Material	ST/ST Int/Ext	ST/ST Int/Ext
Tray Size	GN2/1	GN2/1
Pairs of Tray Slides Supplied	12	15
Max Number of Trays (80mm Spacing)	24 x GN1/1	30 x GN1/1
Temperature Range	-2 / +4°C	78 / 82°C
Exterior WxDxH (mm)	760x916x1758	760x916x1758
Net Usable Volume (litres)	282	418
Weight (KG)	155	135
Refrigerant / GWP	R134a /1430	N/A
Refrigeration Watts (+45°C Condensing)	412	N/A
Evaporating Temp	-10°C	N/A
Heat Rejection Watts*	733	N/A
Noise Output (dBa)	77	72
Power	230 / 50 / 1	230 / 50 / 1
Running Current	2.5	9.5
Total Electrical Load - kW	0.58	2.19
Energy Consumption / 24hrs - kWh**	1.42	N/A
Energy Consumption / Year (AEC) - kWh**	518	N/A
Energy Efficiency Class**	C	N/A

* Heat Rejection is taken at the listed evaporating and condensing condition. Watts is calculated by taking the total power of the cabinet.

** Tested to EN16825

We are constantly innovating and improving our products. Please always check our website for the most up-to-date version of this spec sheet